

36kV, 1250A, 26.3kA, THREE POLE, VACUUM CIRCUIT BREAKER FOR CAPACITOR BANK GROUP CONTROL



SALIENT FEATURES:

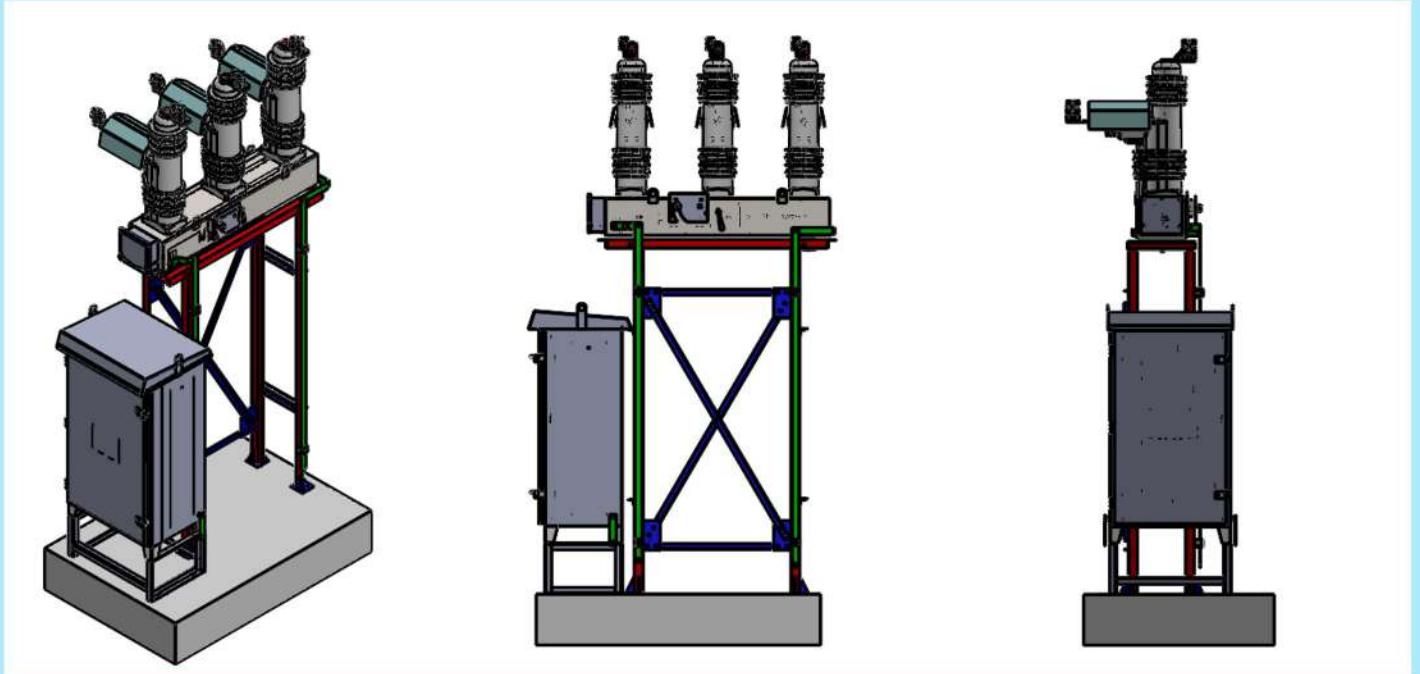
- Suitable for Pole-mounting or Substation structure-mounting
- Used as a back-up breaker for individual capacitor feeder breakers
- Vacuum Interrupters encapsulated in outdoor, hydrophobic cycloaliphatic epoxy (HCEP) bushings
- HCEP bushings are much superior to conventional porcelain bushings
- Highly reliable Permanent Magnet Actuator (PMA) operating mechanism
- With in-built Dry Type Epoxy Resin Cast Low Power Current Transformers – upto a max. of 2 cores
- Light weight – Easy handling at site
- Multicore Umbilical Control Cable Between VCB & Control Cabinet with Plug & Socket
- Plug & Play Solution – Reduced Site Installation & Assembly Time
- Increased mechanical life & electrical life
- Totally maintenance-free
- Mechanical Trip & Lock-out Provision available
- Integral Outdoor Control Cabinet – houses all control, protection & metering modules
- Flexible Control, Protection & Metering Options
- SCADA/DMS/SAS/PPC compatible

APPLICATIONS:

Group Control of 36kV Capacitor Switching Applications in Industries / Large Establishments / Utility Substations / Wind Power Generation Plants

GUARANTEED TECHNICAL PARTICULARS

Sl. No.	Parameter	Value
1	No. of Poles	3
2	No. of breaks per pole	1
3	Rated Voltage	36kV
4	Rated Frequency	50Hz.
5	Rated Lightning Impulse Withstand Voltage	170kVpeak
6	Rated One minute Power Frequency Withstand Voltage (Wet)	70kVrms
7	Rated Current	1250A
8	Rated Short Circuit Breaking Current	26.3kA
9	Rated Short Circuit Making Current	65.75kApeak
10	Rated Short Time Withstand Current	26.3kA/3 sec.
11	Insulating Medium	Solid Dielectric
12	Interruption Medium	Vacuum
13	Operating Mechanism	Permanent Magnetic Actuator (PMA)
14	Closing Time	< 70ms
15	Opening Time	< 50ms
16	Mechanical Life (No. of operations)	20, 000
17	Electrical Life (at rated current) (No. of operations)	20, 000
18	Electrical Life (at rated interrupting current) (No. of operations)	100
19	No. of Aux. Contacts	4 N.O. + 4 N.C.
20	Rated Control Voltage	24V DC/230V AC
21	Reference Standard	IS/IEC 62271-100



**Note: Product Improvement is a continuous process at SRIWIN ELECTRIC.
Please contact us for latest update on the product**

Office Address:

SRIWIN ELECTRIC,
212-4 Indian Bank Colony,
Narasothipatti, Salem-636004,
Tamil nadu, India.

Ph: +91 94434 24700
+91 90805 37051

Factory Address:

Plot No 61&73 - Women's Industrial Estate,
NH-7 Salem to Bangalore Highway,
Behind Govt.Engg College ,
Karupur, Salem - 636 011,
Tamil nadu, INDIA.

sri@sriwinelectric.com
info@sriwinelectric.com
marketing@sriwinelectric.com



SCAN QR CODE